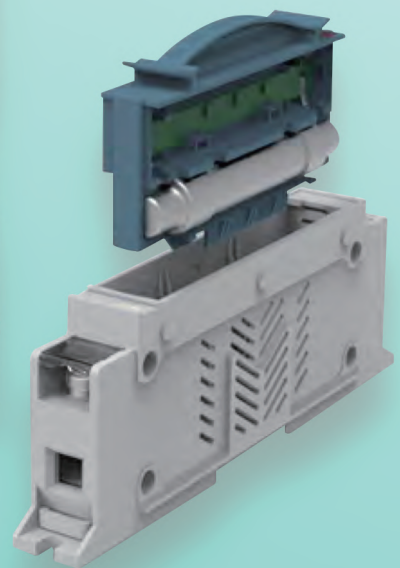




日場科技有限公司
JD Auspice Co., Ltd.

DC FUSE HOLDER

Fuse 1000V or 1500V
FH-01-32L
FH-15-32L



note: subject to change without any notice, JDA pay no responsibility



Fuse 1000V FH-01-32L



Product Application

FH-01-32L series fuse holder is made of refractory material, and meets the standard of IEC60947-3. The maximum rated voltage is 1500V and the maximum current is 30A. As a short circuit and over-current protector, it is widely used in the high and low voltage distribution system, control system, and electrical equipments, like distribution box and inverter.

Product Benefits

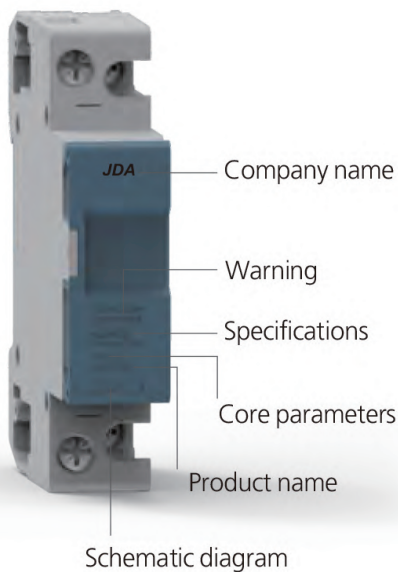
- Din35 Rail Installation, Easy to Install
- Adjustable terminal block, Wiring firm
- Fire-retardant shell, high temperature resistance
- Flexible installation, Easy to replace

Select Code

FH	-	01	-	□	L
1		2		3	4

Code	Name	Description
1	Product Code	FH: Fuse Holder
2	Rated voltage	01: 1000VDC
3	Rated current (A)	2、3、4、5、6、8、10、12、15、20、25、30
4	Light	Nil: with out light L: with light

Appearance Introduction





Fuse 1000V FH-01-32L

Technical Data

FH-01-32L Fuse Holder Pole	1P
According to	IEC60947-3
Electrical Characteristics	
Rated Working Voltage	1000V DC
Rated Current	32A
Breaking Capacity	20KA
Max Power Dissipation	3W

Specifications

Model	Rated current	Rated Voltage	Short-circuit current
F-02	2	1000	15
F-03	3		
F-04	4		
F-05	5		
F-06	6		
F-08	8		
F-10	10		
F-12	12		
F-15	15		
F-20	20		
F-25	25		
F-30	30		

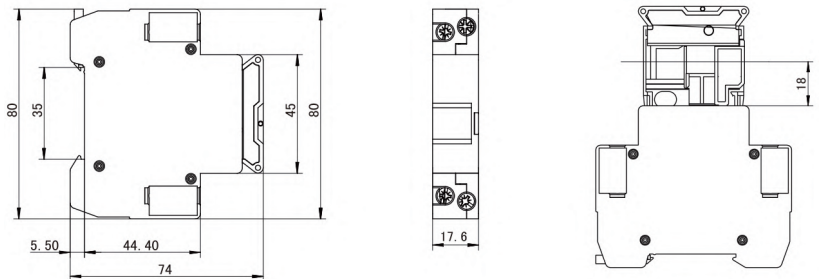
Contol and Indication

Operating State/Fault Indication	Indicator Light OFF/Indicator Light ON
Connection and InstallationWire	1.5mm ² - 10mm ²
Terminal Screws	M3.5
Torque	2.5
Degree of Protection	IP20

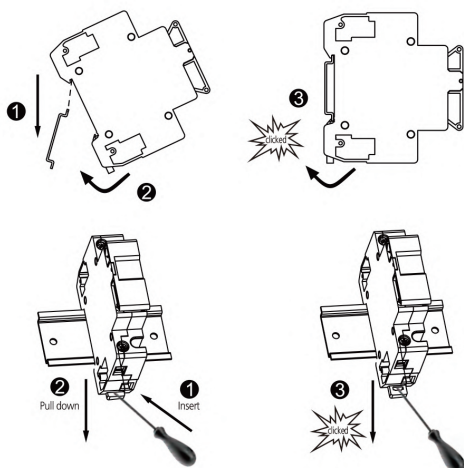
Installation Environment

Fuse Size	10x38mm
Operating Temperature Range	-30°C~+70°C
For Mounting On	Quick fastening on DIN rail IEC/EN 60715
Pollution Degree	+20°C ≤95%, +40°C ≤50
Relative HumidityWeight	0.07kg Per pole
Installation Class	III

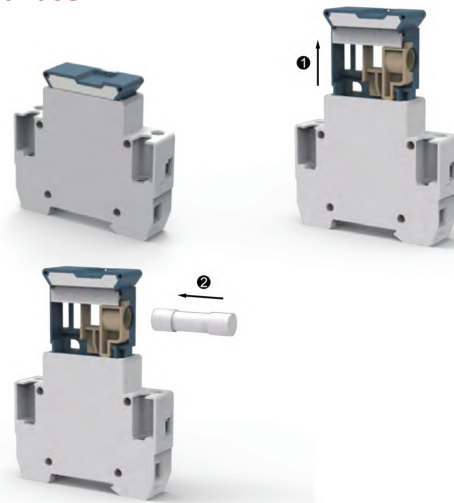
Dimensions



Installation



Replacement Fuse





Fuse 1500V FH-15-32L

Product Application

It is a holder for fuse with protection function for short circuit protection and fault prevention of photovoltaic power line for rated voltage 1500VDC and meets the standards of International Electro technical Commission IEC60269.

Product Benefits

- It is can install and uninstall a fuse without tool.
- 35mm DIN rail mounting.
- Short-circuit indicator built-in.

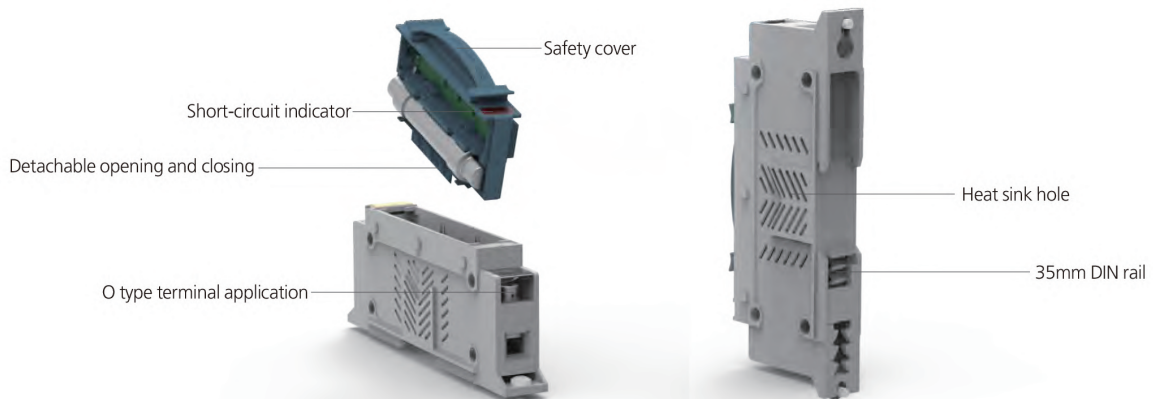
Select Code

FH	-	15	-	□	L
1		2		3	4

Code	Name	Description
1	Product Code	FH: Fuse Holder
2	Rated voltage	15: 1500VDC
3	Rated current (A)	2、3、4、5、6、8、10、12、15、20、25、30
4	Light	Nil: with out light L: with light



Appearance Introduction





Fuse 1500V FH-15-32L

Technical Data

Electrical Characteristics

Rated Working Voltage	1500V DC
Rated Current	30A
Breaking Capacity	15KA



10x85mm



14x85mm

Installation Environment

Operating Temperature Range	-40°C~+90°C
Material	PC Flame Retardant PC
Installation Class	III

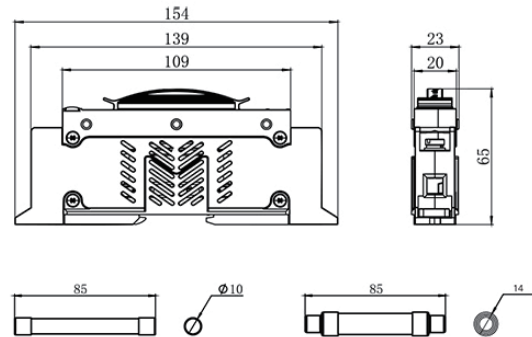
Installation Environment

Rated Working Voltage	1500V DC
Rated Current	2~30A
Breaking Capacity	20KA
Material	Body: Ceramic Cap: Copper alloy
Class	GPV
According to	IEC60269-6 GB/T 13539.6

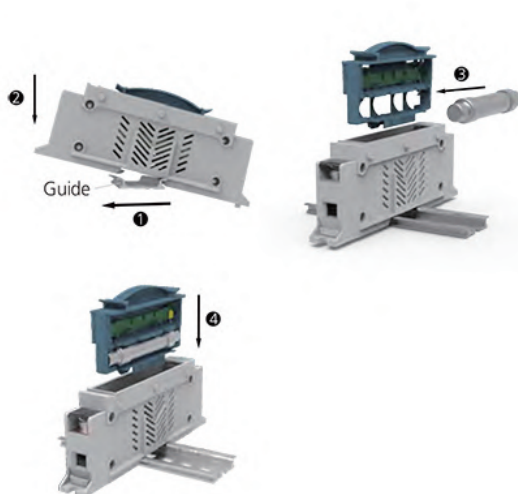
Specifications

Model	Rated current	Rated Voltage	Short-circuit current
F-02	2	1500	15
F-03	3		
F-04	4		
F-05	5		
F-06	6		
F-08	8		
F-10	10		
F-12	12		
F-15	15		
F-20	20		
F-25	25		
F-30	30		

Dimensions



Installation




Disassemble





日燭科技有限公司
JD Auspice Co., Ltd.



 www.jdauspice.com



 @jdauspice



 ID : @jdapv

